

ENGINE

- Mitsubishi® L3E- liquid cooled, diesel engine; Tier 4
 - Standby - 12.2 hp @ 1800 rpm
 - Prime - 10.5 hp @ 1800 rpm
 - 3 cylinder
 - 0.95 L displacement
- Polyethylene Fuel Tank:
 - Fuel Type: Diesel
 - Fuel Capacity: 39.9 gal (151.04 L)
 - External 3.5 in. (89 mm) fill port
- Fuel Consumption:
 - Full Load: 0.59 gph (2.24 Lph)*
 - Lights Only: 0.43 gph (1.62 Lph)*
 - Maximum Runtime (Lights Only): 93 hours*
- Cooling system capable of operating at 120°F (49°C) ambient
- 1,000-hour** service interval
- Full flow filter, spin on type
- Dry type cartridge air filter
- 60 Hz engine/generator
- Wind Rating: 65 mph (105 kph)



**Results based on engine manufacturer and field test data after 100-hour engine break-in period and may vary based on factors including age and maintenance of equipment, environmental conditions and fuel density. Consult the Owner's Manual for fuel and maintenance recommendations.*

***To achieve maximum service interval, replacement of oil filter after 50-hour break-in period is required. Consult Owner's Manual for required oil filter model number.*

GENERATOR

- Marathon Electric®, Brushless
- Up to 6kW power output
- 120/240 VAC – 50/25A
- +/-6% capacitor voltage regulation

ENGINE CONTROLS

- External, illuminated control panel with sealed switches
- Four position keyed switch – (off, run, glow start)
- Digital hour meter
- Automatic low oil pressure/high temperature shutdown system

ELECTRICAL SYSTEM

- 30A start trip breaker (assures no load condition exists before starting)
- Individual floodlight circuits with sealed 15A breakers
- Standard individually breakered convenience outlets:
 - (1) 120 VAC 20 Amp GFCI duplex outlet (NEMA 5-20R type)
 - (1) 240 VAC 30 Amp twist lock outlet (NEMA L6-30R type)
- Wiring is sized and fused to the amperage draw required
- 440CCA wet cell battery

FLOODLIGHTS

- Four (4) 1,100 watt metal halide
 - 132,000 bare bulb lumens each
 - 70,356 fixture lumens each
 - Total bare bulb lumens: 528,000
 - Total fixture lumens: 281,424
- Coverage @ 0.5 ft-c: 31,863 ft² (2,960 m²)
- Efficiency: 120 lumens per watt
- Oval aluminum reflector
- Tempered glass lens
- Silicone gaskets for moisture and dust protection
- Friction disc mounting for tool less positioning
- Individual floodlight On/Off switches

MAST

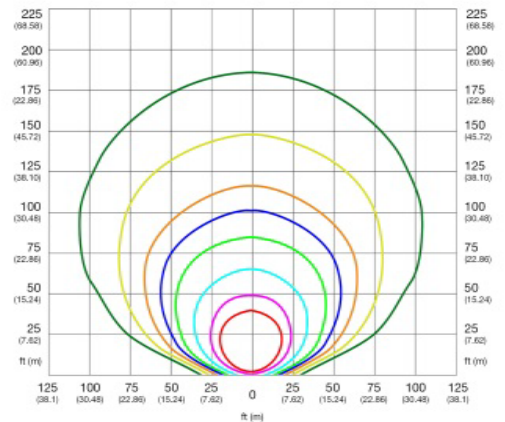
- Vertical mast; 23 ft. (7 m), 5-section with ground adjustable light fixtures
- Dual handle manual winch for ease of deployment; electric winch optional
- Distinctive angle fixture mount for common light distribution
- 359° ground rotational mast with mast fully extended
- Industrial black powder coat finish with polymer guides

ENCLOSURE

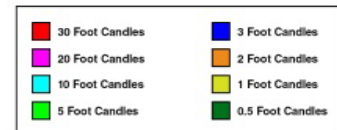
- Injection-molded hood enclosure with UV protected colorant
- Flip hood engine compartment for ease of service
- Multi-lingual operating/safety decals
- License plate holder with light
- Manual holder with operating manual
- 68 dB(A) at 23 ft. (7 m) – prime power

TRAILER

- Tubular steel frame
- (3) 1200 lb. (544 kg) tube and sleeve leveling jacks
- All jacks transport and lock in position for storage
- Side outriggers deployed – 10 in. (25.4 cm) span
- 7800 lb. (3538 kg) safety chains with spring loaded safety hooks
- 2 in. (50.8 mm) ball hitch
- Molded polyethylene fenders
- DOT-approved LED tail, side, brake, and directional lights
- 2200 lb. (907 kg) leaf spring axle
- ST175/80D13 – 6 ply
- 47 in. (119.4 cm) track width



Area covered: 31,863 ft² (2,960 m²)
at minimum of 0.5 foot candles (ft-c)



WEIGHT & DIMENSIONS

- Dry weight: 1290 lbs. (585 kg)
- Operating weight: 1560 lbs. (708 kg)

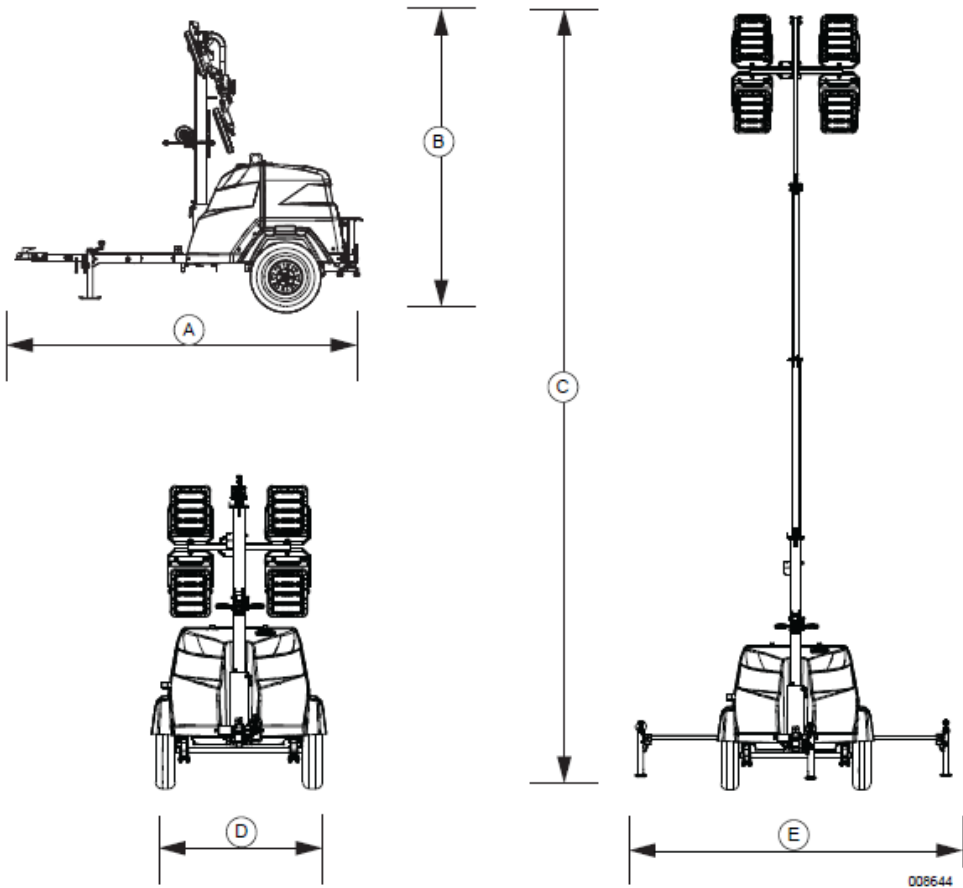


Figure 2-9. Unit Dimensions

A	B	C	D	E
118 in (3 m)	101 in (2.6 m)	23 ft (7 m)	57 in (1.5 m)	120.5 in (3.1 m)

Specifications are subject to change without notice.

WARRANTY

1 Year, Unlimited Hours / 2 Years, 2000 Hours

CERTIFICATIONS

CSA Approved / Listed

OPTIONS

Contact sales representative or factory for a list of current available options.

For more information, consult the Owner’s Manual at <http://www.generacmobileproducts.com/resources-tools/manuals>